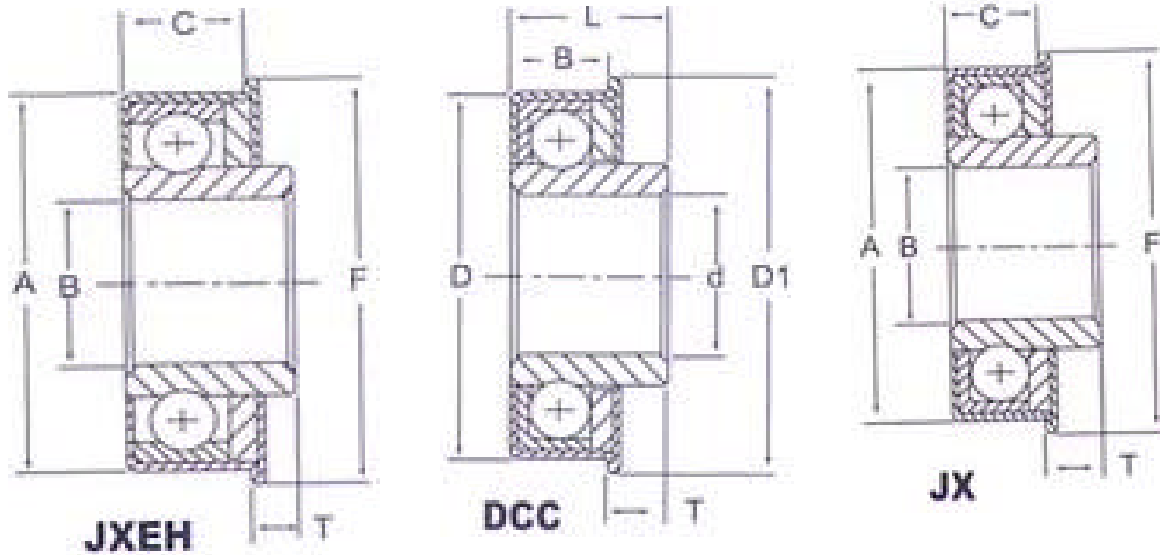


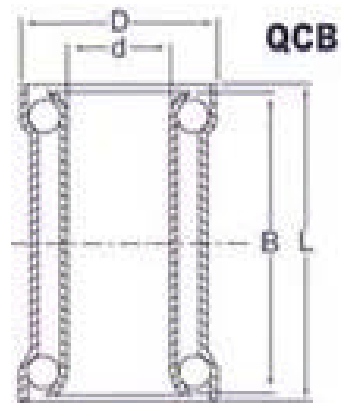
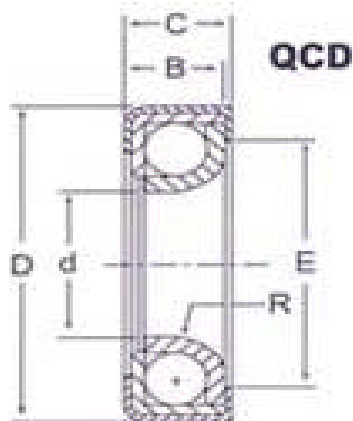
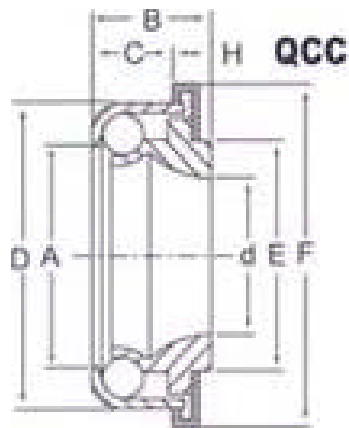
Pressed Bearings



WEIYA Bearing Type	Dimensions (mm)					Radial Rated Load AT 300 PRM in LBS
	A	B	C	F	T	
JX-09A	0.906-0.911	0.251-0.256	0.25	1.031	0.125	50
JX-09B	0.906-0.911	0.376-0.381	0.25	1.031	0.125	50
JX-11A	1.126-1.131	0.376-0.381	0.3125	1.25	0.125	70
JX-11B	1.126-1.131	0.501-0.506	0.3125	1.25	0.125	70
JX-13A	1.375-1.380	0.501-0.506	0.3125	1.5	0.125	100
JX-13B	1.375-1.380	0.626-0.631	0.3125	1.5	0.125	100
JX-13C	1.375-1.380	0.751-0.756	0.3125	1.5	0.125	100
JX-17A	1.750-1.755	0.626-0.631	0.4375	1.875	5/32	150
JX-17B	1.750-1.755	0.751-0.756	0.4375	1.875	5/32	220
JX-20A	2.000-2.005	0.876-0.811	0.4375	2.125	0.188	220
JX-20B	2.000-2.005	1.007-1.013	0.4375	2.125	0.188	220
JX-20C	2.000-2.005	1.251-1.256	0.4375	2.125	0.188	220
JX-25A	2.500-2.505	1.007-1.013	0.5	2.625	0.375	220
JX-25B	2.500-2.505	1.301-1.306	0.5	2.625	0.375	220

WEIYA Bearing Type	Dimensions (mm)					Radial Rated Load
	A	B	C	F	T	AT 600 PRM in LBS
XEH-11A	1.126-1.131	0.313-0.318	0.3125	1.25	0.438	100
JXEH-11A	1.126-1.131	0.376-0.381	0.3125	1.25	0.438	100
JXEH-11B	1.126-1.131	0.501-0.506	0.3125	1.25	0.125	100
JXEH-13A	1.375-1.380	0.501-0.506	0.375	1.5	0.125	170
JXEH-13B	1.375-1.380	0.626-0.631	0.375	1.5	0.125	170
JXEH-13C	1.375-1.380	0.751-0.756	0.375	1.5	0.125	170
JXEH-20A	2.000-2.005	0.876-0.881	0.4375	2.125	0.188	300
JXEH-20B	2.000-2.005	1.007-1.013	0.4375	2.125	0.188	300
JXEH-20C	2.000-2.005	1.251-1.256	0.4375	2.125	0.188	300

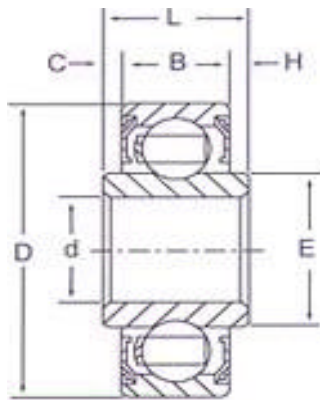
WEIYA Bearing Type	Dimensions (mm)						Rated Load (KN)
	d	D	B	L	D1	T	
DCC-1030	10	30	9	11	33	3.5	70
DCC-1232	12	32	10	12	35	4	80
DCC-1535	15	35	11	13	37	4	100
DCC-1635	16	35	11	13	37	4	100
DCC-1740	17	40	11.5	13.5	41.5	4	130
DCC-2047	20	47	13.5	15.5	50.5	4	150
DCC-2552	25	52	15.5	17.5	55	4	200
DCC-0413	10.05	35	9.5	11.2	37.6	3.175	100
DCC-0613	16.05	35	9.5	11.2	37.6	3.175	100
DCC-0713	19.1	35	9.5	11.2	37.6	3.175	100



WEIYA Bearing Type	Dimensions (mm)				Ball	
	D	d	B	L	No.	Dia.
QCB2208	22	8	-	25		-
QCB2812	28	12	-	35		-
QCB3015	28	15	28	30	24	-

WEIYA Bearing Type	Dimensions (mm)								Ball	
	D	d	A	B	E	F	C	H	No.	Dia.
QCC2608	26.1	8	-	13	17.5	31.3	8.5	4.5	15	5/32
QCC2610	26.1	10	-	13	17.5	31.3	8.5	4.5	15	5/32
QCC2612A	26.1	12	-	13	17.5	31.3	8.5	4.5	15	5/32
QCC2612E	26.1	12	-	12.3	17.5	31.3	8.5	3.8	15	5/32
QCC2712	27.1	12.1	16.7	12.3	18	30.2	8.5	3.8	12	0.1875

WEIYA Bearing Type	Dimensions (mm)					
	D	d	B	C	E	R
QCD2712	27	12	7.9	9.1	19.1	2.4
QCD3215	32	15	7.9	9.1	23	3.6
QCD3515	35	15	10.7	12.3	26.2	4.8
QCD4020	40	20	11.9	12.3	31.8	3.6



QCE

WEIYA Bearing Type	Dimensions (mm)							Ball	
	D	d	E	B	C	H	L	No.	Dia.
QCE01ZZ	-	7+0.1	12	7	0.2	5	12.2+-0.15	7	5/32
QCE02ZZ	-	8+0.1	12	7	-	-	7+-0.05	7	5/32
QCE03ZZ	22+-0.02	8+0.1	12	7	0.2	3.5	10.7+-0.15	7	5/32
QCE04ZZ	-	8+0.1	12	7	1	1	9+-0.15	7	5/32
QCE05ZZ	-	8+0.1	12	7	3	5.3	15.3+-0.1	7	5/32