

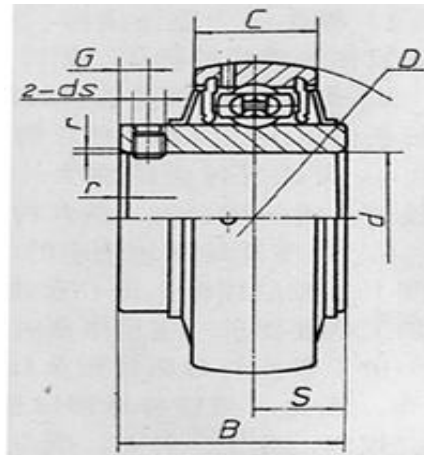
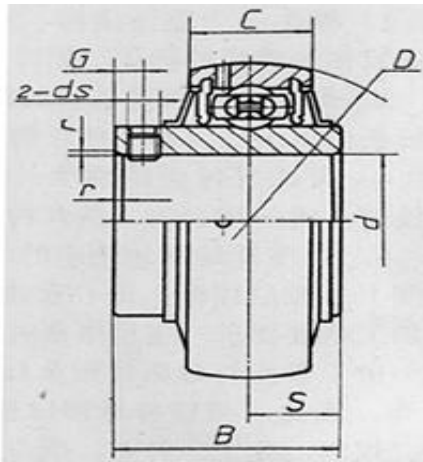
## Insert Ball Bearings Units

UC201-UC218 UC305-UC320 HC201-HC215 UK205-UK218 UK305-UK328

UCX201-UCX218 SB201-SB212 SA201-SA212 SC203-SC212

HOUSINGS:(CAST) P、F、FL、T、FC、PA、AK、FS、C

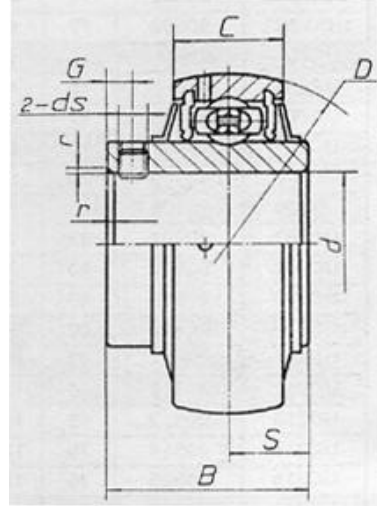
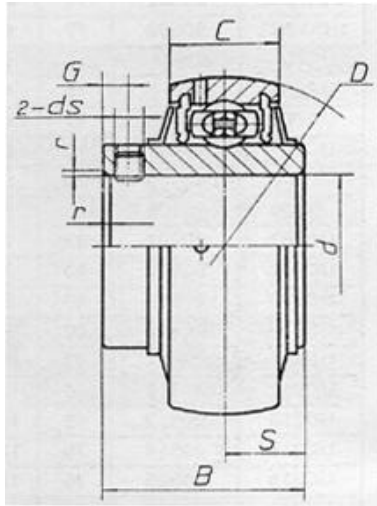
(PUNCH) PP、PF、PFT、PFL



### UC SERIES

WEIYA Bearing Type	Dimensions (mm)								Weight (kg)	Rated Dynamic Load(KN)	Rated Static Load(KN)	Limited Rev(r/m in)
	d	D	B	S	C	r/min	G	ds				
UCW201	12	40	27.4	11.5	15	0.6	4.5	M5 x 0.5	0.14	7.36	4.48	4500
UCW202	15	40	27.4	11.5	15	0.6	4.5	M5 x 0.5	0.13	7.36	4.48	4500
UCW203	17	40	27.4	11.5	15	0.6	4.5	M5 x 0.5	0.13	7.36	4.48	4500
UC201	12	47	31	12.7	17	0.6	4.5	M6 x 1	0.21	9.97	6.22	4000
UC202	15	47	31	12.7	17	0.6	4.5	M6 x 1	0.19	9.97	6.22	4000
UC203	17	47	31	12.7	17	0.6	4.5	M6 x 1	0.18	9.97	6.22	4000
UC204	20	47	31	12.7	17	1	4.5	M6 x 1	0.16	9.88	6.2	4000
UC205	25	52	34.1	14.3	17V	1	5	M6 x 1	0.22	10.78	6.98	3400
UC206	30	62	38.1	15.9	19	1	5	M6 x 1	0.35	14.97	10.04	2800
UC207	35	72	42.9	17.5	20	1.1	6	M8 x 1	0.52	19.75	13.67	2400
UC208	40	80	49.2	19	21	1.1	8	M8 x 1	0.7	22.71	15.94	2200
UC209	45	85	49.2	19	22	1.1	8	M8 x 1	0.74	24.36	17.71	1900
UC210	50	90	51.6	19	24	1.1	9	M10 x 1	0.83	26.98	19.84	1800
UC211	55	100	55.6	22.2	25	1.5	9	M10 x 1	1.16	33.37	15.11	1600
UC212	60	110	65.1	25.4	27	1.5	10	M10 x 1	1.56	36.74	27.97	1500
UC213	65	120	65.1	25.4	27	1.5	10	M10 x 1	1.96	44.01	34.18	1400
UC214	70	125	74.6	30.2	29	1.5	12	M12 x 1.25	2.18	46.79	37.59	1300
UC215	75	130	77.8	33.3	30	1.5	12	M12 x 1.25	2.42	50.85	41.26	1200
UC216	80	140	82.6	33.3	33	2	14	M12 x 1.25	2.82	55.04	45.09	1100
UC217	85	150	85.7	34.1	36	2	14	M12 x 1.25	3.4	64.01	53.28	1000
UC218	90	160	96	39.7	37	2	14	M12 x 1.25	4.3	73.83	60.76	950
UC220	100	180	108	42	41	2	14	M12 x 1.25	4.5	93.95	79.35	900

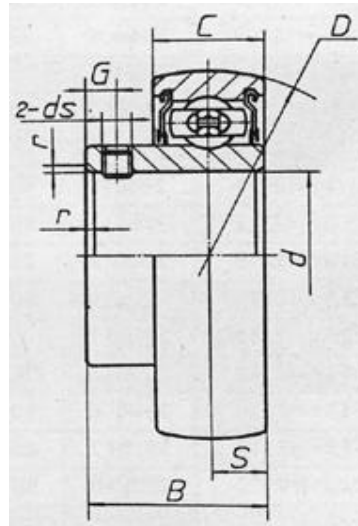
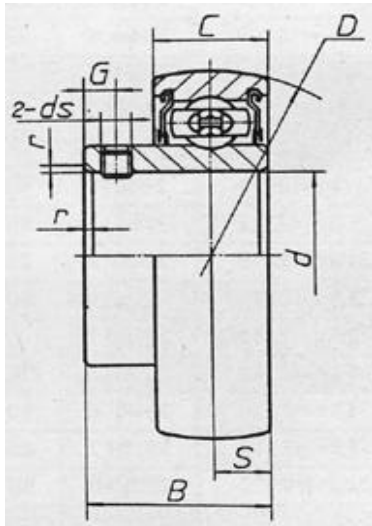
The material can also be the stainless steel.



## UC SERIES

WEIYA Bearing Type	Dimension(mm)								Weigh t(Kg)	Rated Dynam ic Load(K N)	Rated Static Load(KN )	Limited Rev(r/m in)
	d	D	B	S	C	r/min	G	ds				
UC305	25	62	38	15	21	1.1	6	M6x1	0.35	17.22	11.39	2800
UC306	30	72	43	17	23	1.1	6	M6x1	0.56	20.77	14.17	2600
UC307	35	80	48	19	25	1.5	8	M8x1	0.71	25.66	17.92	2200
UC308	40	90	52	22	27	1.5	10	M10x1	0.96	31.35	22.38	2200
UC309	45	100	57	25	30	1.5	10	M10x1	1.28	40.66	30	2000
UC310	50	110	61	26	32	2	12	M12x1.25	1.65	47.58	35.71	1800
UC311	55	120	66	30	34	2	12	M12x1.25	2.07	55.05	41.91	1700
UC312	60	130	71	33	36	2.1	12	M12x1.25	2.6	62.88	48.6	1400
UC313	65	140	75	32	38	2.1	12	M12x1.25	3.25	72.21	56.68	1300
UC314	70	150	78	34	40	2.1	12	M12x1.25	3.89	80.1	63.48	1200
UC315	75	160	82	40	42	2.1	14	M12x1.25	4.72	87.25	71.67	1100
UC316	80	170	86	40	44	2.1	14	M16x1.5	5.55	94.57	80.35	1000
UC317	85	180	96	41	46	3	16	M16x1.5	6.67	102.05	89.52	950
UC318	90	190	96	42	48	3	16	M16x1.5	7.56	110.81	100.76	900
UC319	95	200	103	44	50	3	16	M16x1.5	8.7	120.51	113.75	850
UC320	100	215	108	46	54	3	18	M16x1.5	10.8	133.06	131.18	800
UC321	105	225	112	51	56	3	18	M18x1.5	12.2	141.3	142.84	750
UC322	110	240	117	54	60	3	18	M18x1.5	14.3	157.66	167.64	700
UC324	120	260	126	59	64	3	18	M18x1.5	18.5	175.07	194.42	630
UC326	130	280	135	19	68	4	20	M20x1.5	23	194.93	226.71	560
UC328	140	300	145	59	73	4	20	M20x1.5	28.5	211.38	253.93	500

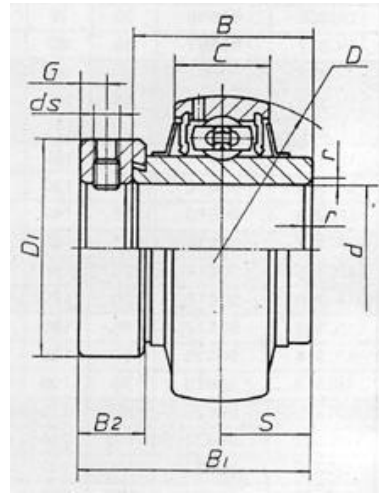
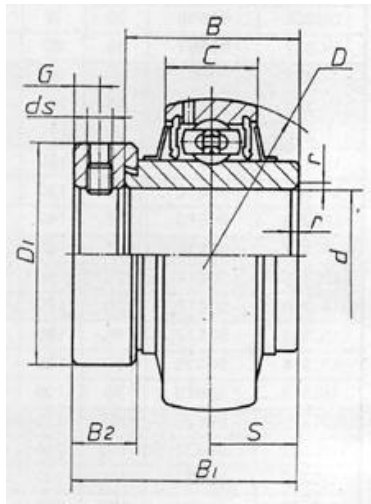
The material can also be the stainless steel.



## SB SERIES

WEIYA Bearing Type	Dimension (mm)								Weight (kg)	Rated Dynamic Load(KN)	Rated Static Load(KN)	Limited Rev(r/m in)
	d	D	B	S	C	G	R/mi	Ds				
SB201	12	40	22	6	12	4.5	0.6	M5 x 0.5	0.1	7.36	4.48	4500
SB202	15	40	22	6	12	4.5	0.6	M5 x 0.5	0.09	7.36	4.48	4500
SB203	17	40	22	6	12	4.5	0.6	M5 x 0.5	0.07	7.36	4.48	4500
SB204	20	47	25	7	14	4.5	1	M6 x 1	0.12	9.88	6.2	4000
SB205	25	52	27	7.5	15	5	1	M6 x 1	0.16	10.78	6.98	3400
SB206	30	62	30	8	16	5	1	M6 x 1	0.25	14.97	10.04	2800
SB207	35	72	32	8.5	17	6	1.1	M6 x 1	0.38	19.75	13.67	2400
SB208	40	80	34	9	18	8	1.1	M8x 1	0.58	22.71	15.94	2200

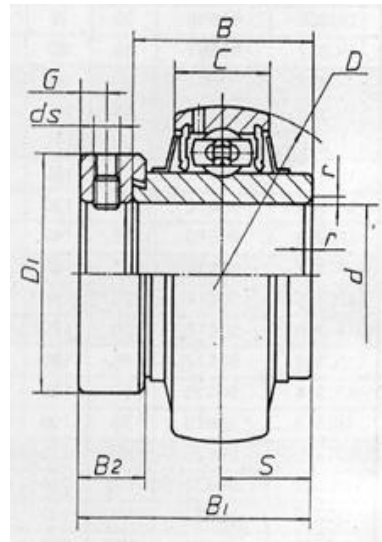
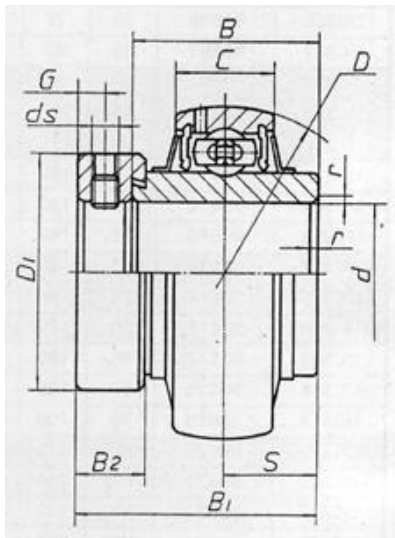
The material can also be the stainless steel.



## UG SERIES

WEIYA Bearing Type	Dimension (mm)								R/min	D1	G	DS	Weight(kg)	Rated Dynamic Load(KN)	Rated Static Load(KN)	Limited Rev(r/min)
	d	D	B1	B	B	S	C	R								
UG201	12	40	37.3	27.8	13.5	13.9	15	0.6	28.6	4.8	M6 x 1	0.26	7.36	44.48	4500	
UG202	15	40	37.3	27.8	13.5	13.9	15	0.6	28.6	4.8	M6 x 1	0.23	7.36	44.48	4500	
UG203	17	40	37.3	27.8	13.5	13.9	15	0.6	28.6	4.8	M6 x 1	0.21	7.36	44.48	4500	
UG204	20	47	43.7	34.2	13.5	17.1	17	1	33.3	4.8	M6 x 1	0.18	9.88	6.2	4000	
UG205	25	42	44.4	34.9	13.5	17.5	17	1	38.1	4.8	M6 x 1	0.25	10.78	6.98	3400	
UG206	30	62	48.4	36.5	15.9	18.3	19	1	44.5	6	M6 x 1	0.4	14.97	10.04	2800	
UG207	35	72	51.1	37.6	17.5	18.8	20	1.1	55.6	6.8	M8 x 1	0.61	14.75	13.67	2400	
UG208	40	80	56.3	42.8	18.3	21.4	21	1.1	60.3	6.8	M8 x 1	0.75	22.71	15.94	2200	
UG209	45	85	56.3	42.8	18.3	21.4	22	1.1	63.5	6.8	M8 x 1	0.81	24.36	17.71	1900	
UG210	50	90	62.7	49.2	18.3	24.6	24	1.1	69.9	7	M10 x 1	0.98	26.98	19.84	1800	
UG211	55	100	71.4	55.5	20.7	27.8	25	1.5	76.2	7	M10 x 1	1.3	33.37	25.11	1600	
UG212	60	110	77.8	61.9	22.3	31	27	1.5	84.2	8	M10 x 1	1.78	36.74	27.97	1500	
UG213	65	120	85.7	69.2	23.5	34.1	27	1.5	86	8.5	M12 x 1.5	2.48	44.04	34.18	1400	
UG214	70	125	85.7	69.2	23.5	34.1	29	1.5	90	8.5	M12 x 1.5	2.5	46.79	37.59	1300	
UG215	75	130	92.1	76.6	23.5	37.3	30	1.5	102	8.5	M12 x 1.5	2.86	50.85	41.26	1200	
UG216	80	140	92	70	30	33.3	33	2	110	11	M12 x 1.5	3.3	55.04	45.09	1100	

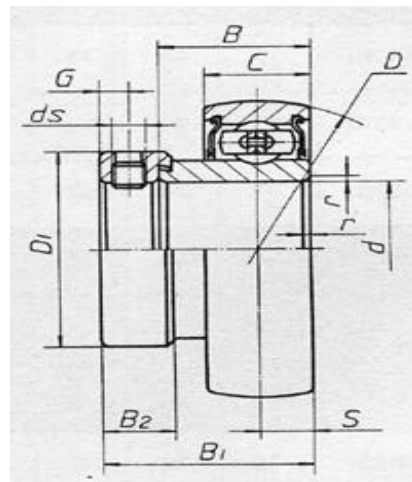
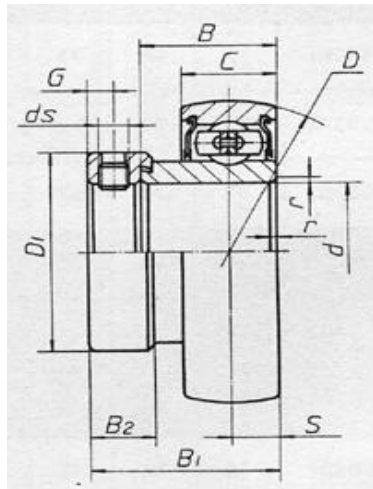
The material can also be the stainless steel.



## UG SERIES

WEIYA Bearing Type	Dimension (mm)								Weight(kg)	Rated Dynamic Load(KN)	Rated Static Load(KN)	Limited Rev(r/min)			
	d	D	B1	B	B	S	C	R/min							
UG201	12	40	37.3	27.8	13.5	13.9	15	0.6	28.6	4.8	M6 x 1	0.26	7.36	44.48	4500
UG202	15	40	37.3	27.8	13.5	13.9	15	0.6	28.6	4.8	M6 x 1	0.23	7.36	44.48	4500
UG203	17	40	37.3	27.8	13.5	13.9	15	0.6	28.6	4.8	M6 x 1	0.21	7.36	44.48	4500
UG204	20	47	43.7	34.2	13.5	17.1	17	1	33.3	4.8	M6 x 1	0.18	9.88	6.2	4000
UG205	25	42	44.4	34.9	13.5	17.5	17	1	38.1	4.8	M6 x 1	0.25	10.78	6.98	3400
UG206	30	62	48.4	36.5	15.9	18.3	19	1	44.5	6	M6 x 1	0.4	14.97	10.04	2800
UG207	35	72	51.1	37.6	17.5	18.8	20	1.1	55.6	6.8	M8 x 1	0.61	14.75	13.67	2400
UG208	40	80	56.3	42.8	18.3	21.4	21	1.1	60.3	6.8	M8 x 1	0.75	22.71	15.94	2200
UG209	45	85	56.3	42.8	18.3	21.4	22	1.1	63.5	6.8	M8 x 1	0.81	24.36	17.71	1900
UG210	50	90	62.7	49.2	18.3	24.6	24	1.1	69.9	7	M10 x 1	0.98	26.98	19.84	1800
UG211	55	100	71.4	55.5	20.7	27.8	25	1.5	76.2	7	M10 x 1	1.3	33.37	25.11	1600
UG212	60	110	77.8	61.9	22.3	31	27	1.5	84.2	8	M10 x 1	1.78	36.74	27.97	1500
UG213	65	120	85.7	69.2	23.5	34.1	27	1.5	86	8.5	M12 x 1.5	2.48	44.04	34.18	1400
UG214	70	125	85.7	69.2	23.5	34.1	29	1.5	90	8.5	M12 x 1.5	2.5	46.79	37.59	1300
UG215	75	130	92.1	76.6	23.5	37.3	30	1.5	102	8.5	M12 x 1.5	2.86	50.85	41.26	1200
UG216	80	140	92	70	30	33.3	33	2	110	11	M12 x 1.5	3.3	55.04	45.09	1100

The material can also be the stainless steel.

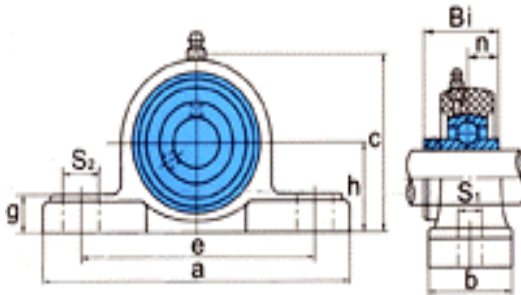


## SA SERIES

WEIYA Bearing Type	Dimention(mm)											Weight(kg)	Rated Dymanic Load(KN)	Rated Static Load(KN)	Limited Rev(r/mi n)
	d	D	B	B1	C	S	D1	B2	G	R/MIN	ds				
SA201	12	40	19	28.6	13	6.5	28.6	13.5	4.8	0.6	M6 x 1	0.14	7.36	4.48	4500
SA202	15	40	19	28.6	13	6.5	28.6	13.5	4.8	0.6	M6 x 1	0.13	7.36	4.48	4500
SA203	17	40	19	28.6	13	6.5	28.6	13.5	4.8	0.6	M6 x 1	0.12	7.36	4.48	4500
SA204	20	47	21.5	31	14	7.5	33.3	13.5	4.8	1	M6 x 1	0.14	9.88	6.2	4000
SA205	25	52	21.5	31	15	7.5	38.1	13.5	4.8	1	M6 x 1	0.18	10.78	6.98	3400
SA206	30	62	23.8	35.7	16	9	44.5	15.9	6	1	M6 x 1	0.31	14.97	10.04	2800
SA207	35	72	25.4	38.9	17	9.5	55.6	17.5	6.8	1.1	M8 x 1	0.51	19.75	13.67	2400
SA208	40	80	30.2	43.7	18	11	60.3	18.3	6.8	1.1	M8 x 1	0.64	22.71	15.94	2200
SA209	45	85	30.2	43.7	19	11	63.5	18.3	6.8	1.1	M8 x 1	0.68	22.36	17.71	1900
SA210	50	90	30.2	43.7	20	11	69.9	18.3	7	1.1	M10 x 1	0.77	26.98	19.84	1800
SA211	55	100	32.5	48.4	24	12	76.2	20.7	7	1.5	M10 x 1	0.83	33.37	25.11	1600
SA212	60	110	37.2	53.1	24	13.5	84.2	22.3	8	1.5	M10 x 1	1.4	36.74	27.97	1500

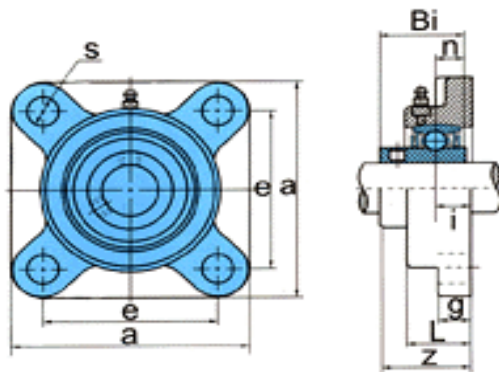
The material can also be the stainless steel.

# Housing



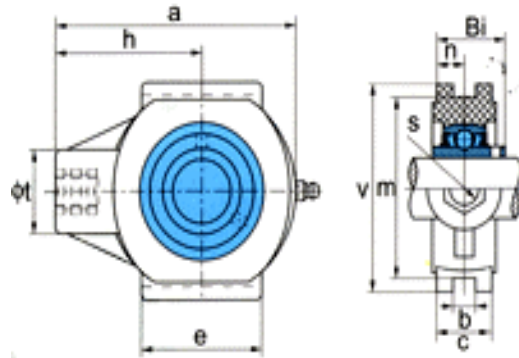
## P SERIES

WEITA Bearing Type	d (mm)	h	a	e	b	S1	S2	g	c	Bi	n	W (kg)
P204	20	33.3	127	95	38	11	14	14.2	65.5	31	12.7	0.13
P205	25	36.5	141	105	38	11	14	14.5	71	34	14.3	0.14
P206	30	42.9	163	119	46	14	18	17.8	84	38.1	15.9	0.24
P207	35	47.6	168	127	48	14	18	18	94.5	42.9	17.5	0.27
P208	40	49.2	184	137	54	14	18	19.5	101	49.2	19	0.35
P209	45	54	192	146	54	17	20	23	106	49.2	19	0.41
P210	50	57.2	206	159	60	17	20	23	114	51.6	19	0.47



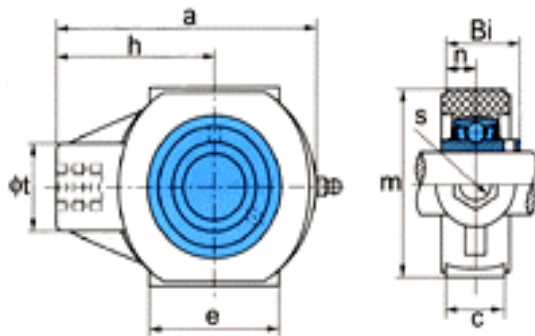
## F SERIES

WEITA Bearing Type	d (mm)	a	e	g	L	s	z	Bi	n	i	W (kg)
F204	20	86	63.5	13.4	27.8	11	34.6	31	12.7	16.3	0.12
F205	25	95	70	14.3	28.5	11	36.7	34	14.3	17	0.15
F206	30	107	83	14.3	31.5	11	41.2	38.1	15.9	19	0.18
F207	35	118	92	15.5	34.5	13	46.9	42.9	17.5	21.5	0.25
F208	40	130	102	17	36.5	14	53.2	49.2	17.5	21.5	0.25
F209	45	137	105	19	41	17	54.2	49.2	19	24	0.42
F210	50	143	111	21	43	17	57.6	51.6	19	25	0.49



## TP SERIES

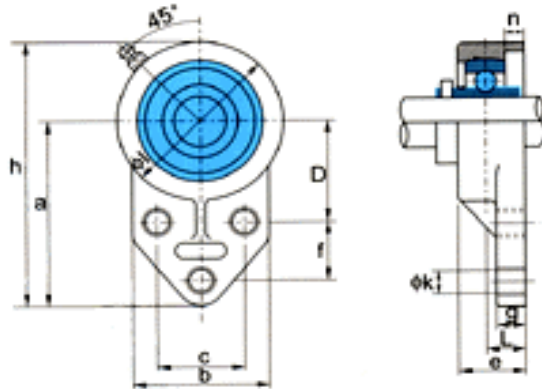
WEITA Bearing Type	d (mm)	a	c	b	h	m	t	v	e	Bi	n	s	W (kg)
TP204	20	99	27.5	12	64	76	36	88	47	31	12.7	M16	0.18
TP205	25	99	27.5	12	64	76	36	88	47	34	14.3	M16	0.17
TP206	30	125	34.5	12	76	89	40	102	63	38.4	15.9	M16	0.28
TP207	35	125	34.5	12	76	89	40	102	63	42.9	17.5	M16	0.27
TP208	40	140	34.5	16	85	102	40	114	80	49.2	19	M16	0.36
TP209	45	149	40	16	90	102	50	117	85	49.2	19	M20	0.41
TP210	50	149	40	16	90	102	50	117	85	51.6	19	M20	0.47



## HP SERIES

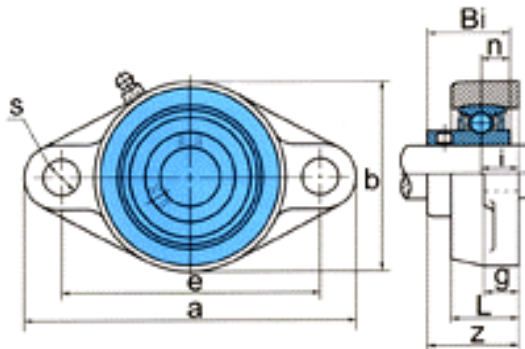
WEITA Bearing Type	d (mm)	a	c	h	m	s	t	e	Bi	n	W (kg)
HP204	20	99	27.5	63.5	65	M16	36	47	31	12.7	0.18
HP205	25	99	27.5	63.5	74	M16	36	47	34	14.3	0.17
HP206	30	125	34.5	76	90	M16	40	63	38.1	15.9	0.28
HP207	35	125	34.5	76	90	M16	40	63	42.9	17.5	0.27
HP208	40	140	34.5	85	100	M16	40	80	49.2	19	0.36
HP209	45	149	40	90	110	M20	50	85	49.2	19	0.41
HP210	50	149	40	90	110	M20	50	85	51.6	19	0.47





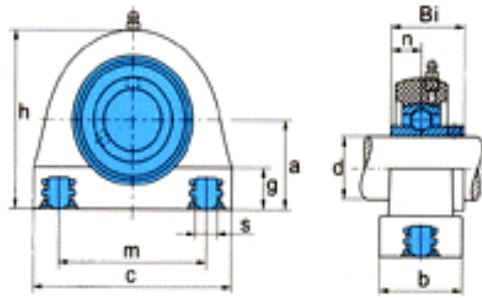
## FB SERIES

WEITA Bearing Type	d (mm)	a	b	c	D	e	f	g	h	i	k	n	W (kg)
FB201	12	76.2	62	38.1	42.9	33.7	22.2	11.4	108	63.5	10.7	12.7	0.08
FB202	15	76.2	62	38.1	42.9	33.7	22.2	11.4	108	63.5	10.7	12.7	0.08
FB203	17	76.2	62	38.1	42.9	33.7	22.2	11.4	108	63.5	10.7	12.7	0.08
FB204	20	76.2	62	38.1	42.9	33.7	22.2	11.4	108	63.5	10.7	12.7	0.08
FB205	25	85.7	63.5	41.3	46	41.2	28.6	11.4	120.6	70	10.7	14.3	0.11
FB206	35	96.5	76	47.6	52.4	41.5	31.8	13.3	138.5	83	10.7	15.9	0.16
FB207	35	110	89	50.8	60.3	47.1	31.8	16.1	157	95	13.1	17.5	0.23



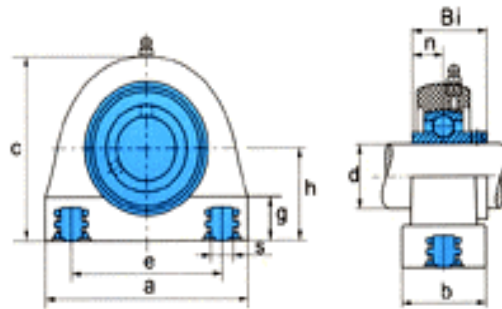
## FL SERIES

WEITA Bearing Type	d (mm)	a	e	b	g	L	s	z	Bi	n	i	W (kg)
FL204	20	113	90	65	13.4	26.5	11	33.3	31	12.7	15	0.08
FL205	25	131	99	70	14.3	28	11	36.2	34	14.3	16.5	0.11
FL206	30	148	117	80	14.3	30.5	11	40.2	38.1	15.9	18	0.13
FL207	35	164	130	90	15.5	32	13	44.4	42.9	17.5	19	0.16
FL208	40	176	144	100	17	35	14	51.7	49.2	19	21.5	0.22
FL209	45	189	149	108	21	41	17	54.2	49.2	19	24	0.26
FL210	50	197	157	115	21	43	17	57.6	51.6	19	25	0.31



## TB SERIES

WEITA Bearing Type	d (mm)	a	b	h	m	c	s	g	n	Bi	W (kg)
TB204	20	33.3	34.5	66	50.8	72.8	M8	13	12.7	31	0.085
TB205	25	36.5	39.5	73.5	50.8	76.2	M10	13	14.3	34.1	0.115
TB206	30	42.9	42.5	84	76.2	101	M10	16	15.9	38.1	0.17
TB207	35	47.6	47.5	95	82.6	110	M10	18	17.5	42.9	0.25
TB208	40	49.2	48	101	88.9	120	M12	20	19	49.2	0.29
TB209	45	54	50	109	95.3	124	M12	20	19	49.2	0.34
TB210	50	57.2	54	115	102	135	M16	22	19	51.6	0.43



## PA SERIES

WEITA Bearing Type	d (mm)	a	e	h	b	s	c	Bi	n	g	W (kg)
PA204	20	76	52	33.3	38	M8	64	31	12.7	13	0.09
PA205	25	84	56	36.5	38	M10	72	34.1	14.3	13	0.12
PA206	30	94	66	42.9	48	M10	84	38.1	15.9	16	0.18
PA207	35	110	80	47.6	48	M10	95	49.2	17.5	18	0.26
PA208	40	116	84	49.2	54	M12	100	49.2	19	20	0.3
PA209	45	120	90	54.2	54	M12	108	49.2	19	20	0.35
PA210	50	130	94	57.2	60	M16	116	51.6	19	22	0.45